

CRYPTERA EPP 1218



PCI 5.x
APPROVED

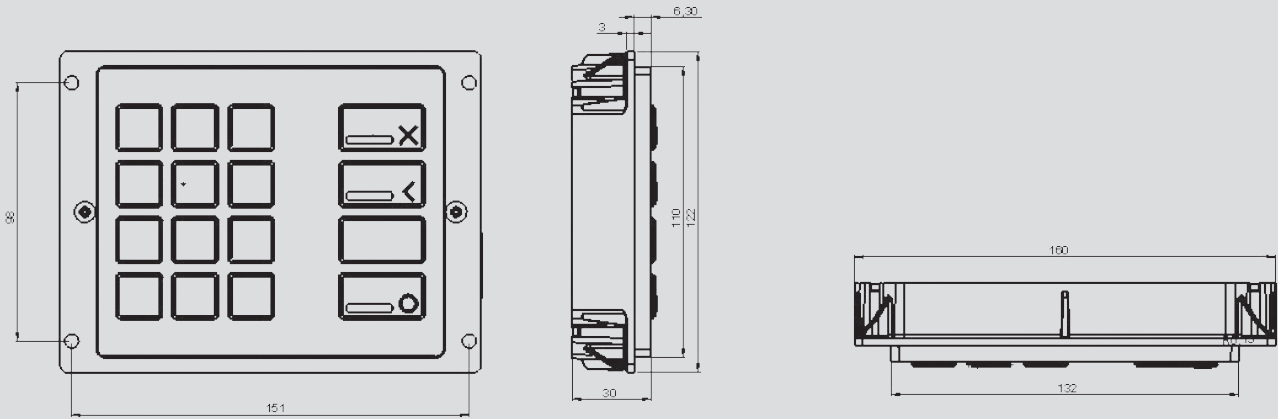
ENCRYPTING PIN PAD

OEM ENCRYPTING PIN PAD FOR:

- Automatic Teller Machines (ATMs)
- Unattended Payment Solutions
 - Petrol forecourt payment
 - Ticket vending machines
 - Kiosk solutions
 - Parking venues
- PCI 5.x Approved PIN Pad
- Polymer Keyboard
- Stainless Steel Keys
- Customised Layouts
- 3DES and Remote Key Load Support
- USB Bus Powered
- Built In Beeper
- Removal Sensor



CRYPTERA EPP 1218



KEYBOARD

- Stainless steel keys in a polymer frame
- All keyboard text is black. Function keys can have coloured bars
- Keys are raised and comply with current disability standards
- Embossing (XOI<) is an available option
- Keyboard lifetime is two million cycles

ELECTRICAL INTERFACES

- Power supply: USB Bus Powered
- External keyboard: Connector for 2 x 4 function keys
- Built in Beeper: Software Controlled
- LEDs: Three internal LEDs for diagnostics

MECHANICAL INTERFACE

Fits into the front panel of many standard ATMs

ENVIRONMENT

- Keyboard is watertight when correctly mounted in the ATM
- IP65 (from front of keyboard)
- Keyboard temperature range is -25°C to +65°C
- Vandal resistance: IK07
- Device is CE approved
- Device is ROHS compliant

APPROVALS

PCI 5.x Approved

SOFTWARE INTEGRATION

- Supports Flexible Activation Procedure
- Remote Key Load (optional)
- XFS service provider available
- Cryptera protocol software



Scan the code with your smartphone and get more information about Cryptera

CRYPTERA A/S

Fabriksparken 20
DK-2600 Glostrup

Phone: + 45 4343 4395

info@cryptera.com
www.cryptera.com



CRYPTERA®
A DIEBOLD NIXDORF COMPANY