

CRYPTERA EPP 2200



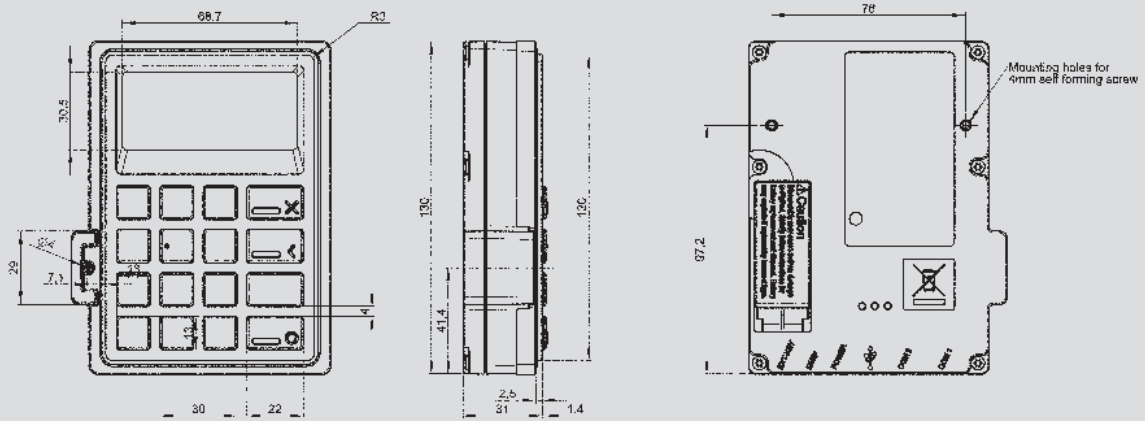
PCI 5.X
APPROVED

ENCRYPTING PIN PAD

OEM ENCRYPTING PIN PAD FOR:

- Unattended Payment Solutions
 - Petrol forecourt payment
 - Ticket vending machines
 - Kiosk solutions
 - Parking venues
- PCI 5.x Approved PIN Pad with display
- Polymer Keyboard
- Customised Layouts
- 3DES and Remote Key Load Support
- USB and RS-232 Interface
- Connectors for Function Keys and Beeper
- Stainless Steel Keys
- Removal Sensor

CRYPTERA EPP 2200



KEYBOARD

- Stainless steel keys in a polymer frame
- All keyboard text is black. Function keys can have coloured bars
- Keys are raised
- Embossing (XOI<) is an available option
- Keyboard lifetime is one million cycles

DISPLAY

- Monochrome LCD display
- Window size: 68x30 mm
- 128x64 pixels
- Background light
- Optimal temperature range 0 - +55

ELECTRICAL INTERFACES

- Power supply: 12-24 VDC +/- 10%, max 100 mA
- RS-232: RJ45 according to RS-232-D, max speed 115.2 Kbps up to 115.2 Kbps
- USB: Driver emulates COM-port. USB-powered except when using beeper
- External beeper: Connector for external beeper. This requires power supply
- LEDs: Three internal LEDs for diagnostics

ENVIRONMENT

- Keyboard is watertight when correctly mounted
- IP65 (from front of keyboard)
- Keyboard temperature range is -25°C to +65°C
- Vandal resistance: IK07
- Device is CE approved
- Device is ROHS compliant

APPROVALS

PCI 5.x Approved

SOFTWARE INTEGRATION

- Supports Flexible Activation Procedure
- Cryptera protocol software



Scan the code with your smartphone and get more information about Cryptera

CRYPTERA A/S

Fabriksparken 20
DK-2600 Glostrup

Phone: + 45 4343 4395

info@cryptera.com
www.cryptera.com



CRYPTERA[®]
A DIEBOLD NIXDORF COMPANY