

NFC READER 3520



PCI 5.X & EMV
APPROVED

MODULAR PAYMENT SOLUTION

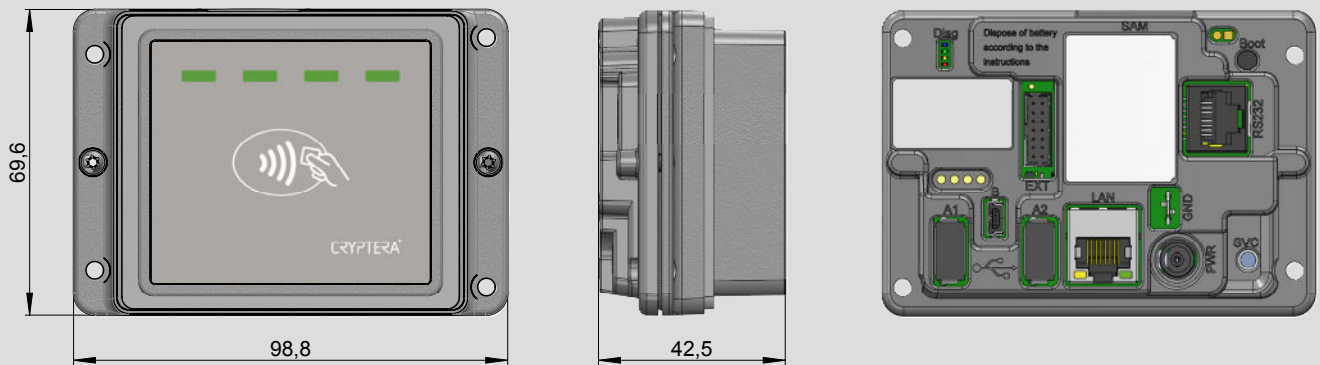
NFC READER FOR

- Petrol
- Parking
- Street Parking
- Vending
- Kiosk
- Retail
- ATM

HIGHLIGHTS

- EMV Contactless Level 1
- PCI 5.x Approved incl. SRED
- All International Payment Schemes
- Compact Design
- USB Interface
- Cryptera Protocol for Unattended
- XFS Service Provider for ATM

NFC READER



ADDITIONAL FEATURES

- Remote Key Load
- AES, 3DES
- DUKPT

NFC

- EMV Contactless

CONNECTIVITY

- Mini USB B

ENVIRONMENT

- Indoor & Outdoor
- Ingress Protection IP65
- Vandal Resistance IK08

COMPLIANCE

- PCI PTS including SRED
- PCI PA-DSS capable
- PCI P2PE capable
- EMV
 - Contactless Level 1
- TQM (In progress)
- Payment Schemes
 - Visa PayWave
 - Mastercard MCL
 - JCB J/Speedy
 - Discover D-PAS
 - AmEx ExpressPay
 - Interac Flash

- Mobile Wallets support

- Apple Pay
- Google Pay
- Samsung Pay

SOFTWARE INTEGRATION

- Cryptera Protocol
- XFS Service Provider for ATM



Scan the code with your smartphone and get more information about Cryptera

CRYPTERA A/S

Fabriksparken 20
DK-2600 Glostrup

Phone: + 45 4343 4395

info@cryptera.com
www.cryptera.com

