

CRYPTERA EPP

1217



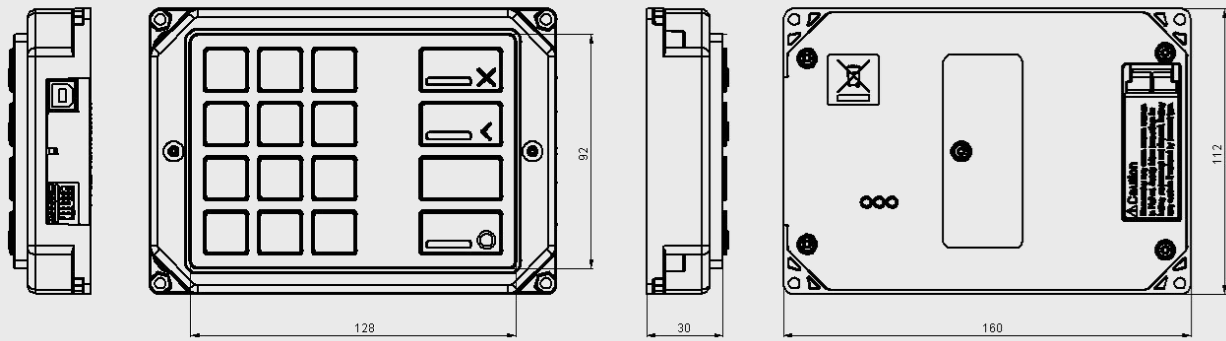
PCI 5.x
APPROVED

ENCRYPTING PIN PAD

OEM ENCRYPTING PIN PAD FOR

- Automatic Teller Machine (ATMs)
- Unattended Payment Solutions
 - Petrol forecourt payment
 - Ticket vending machines
 - Kiosk solutions
 - Parking venues
- PCI 5.x approved PIN Pad
- Polymer Keyboard
- Stainless Steel Keys
- Customized Layouts
- Support for 3DES and AES
- Remote Key Load (TR-34, cRKL and sRKL)
- USB Bus Powered
- Built in Beeper
- Removal Detection

CRYPTERA EPP 1217



KEYBOARD

- Stainless steel keys in a polymer frame
- All keyboard text is black. Function keys can have coloured bars
- Keys are raised and comply with current disability standards
- Embossing (XOI<) is an available option
- Keyboard lifetime is two million cycles

ELECTRICAL INTERFACES

- Power supply: USB Bus Powered
- External keyboard: Connector for 2 x 4 function keys
- Built in Beeper: Software controlled
- Three diagnostic LEDs

MECHANICAL INTERFACE

- Fits into the front panel of many standard ATMs

ENVIRONMENT

- Keyboard is watertight when correctly mounted
- IP65 (from front of keyboard)
- Keyboard temperature range is -25°C og +65°C
- Vandal resistance: IK07
- Device is CE approved
- Device is ROHS and WEEE compliant

APPROVALS

- PCI 5.x approved (4-20343)

SOFTWARE INTEGRATION

- XFS Service Provider
- Remote Key Load
- Cryptera Protocol Software



Scan the code with your Smartphone and get more information about Cryptera

EPP1217 (PCI 5.x) – Product Sheet – June 2024 © Cryptera A/S
This document can be modified without prior notice

Cryptera is certified: ISO 9001 Certified | ISO 14001 Certified | ISO 45001 Certified | PCI PIN Certified | MasterCard TQM Certified