

CRYPTERA EPP

1218



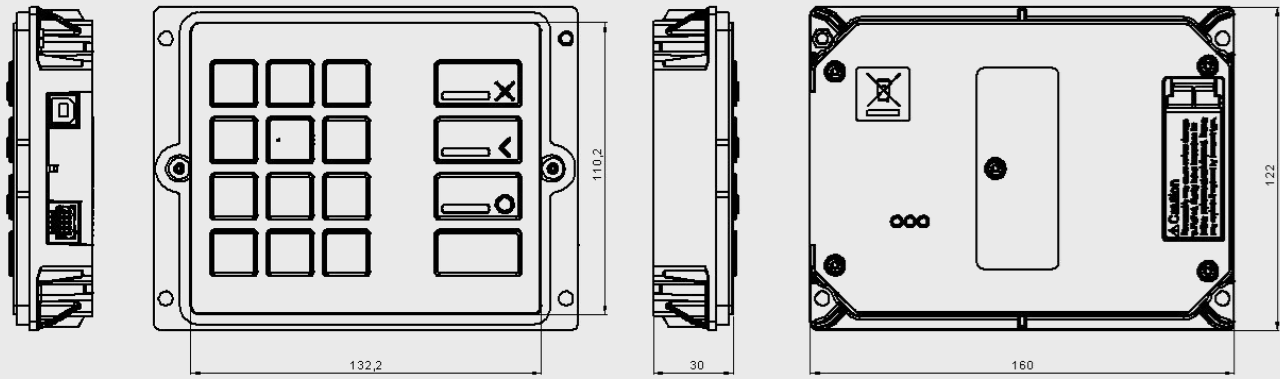
PCI 6.x  
APPROVED

## ENCRYPTING PIN PAD

### OEM ENCRYPTING PIN PAD FOR

- Automatic Teller Machine (ATMs)
- Unattended Payment Solutions
  - Petrol forecourt payment
  - Ticket vending machines
  - Kiosk solutions
  - Parking venues
- PCI 6.x approved PIN Pad
- Polymer Keyboard
- Stainless Steel Keys
- Customized Layouts
- Support for 3DES and AES
- Remote Key Load (TR-34, cRKL and sRKL)
- Connector for Function Keys
- USB Bus Powered
- Built in Beeper
- Removal Detection (Optional)

# CRYPTERA EPP 1218



## KEYBOARD

- Stainless steel keys in a polymer frame
- All keyboard text is black. Function keys can have coloured bars
- Keys are raised and comply with current disability standards
- Embossing (XOI<) is an available option
- Keyboard lifetime is two million cycles

## ELECTRICAL INTERFACES

- Power supply: USB Bus Powered
- External keyboard: Connector for 2 x 4 function keys
- Built in Beeper: Software controlled
- Three diagnostic LEDs

## MECHANICAL INTERFACE

- Fits into the front panel of many standard ATMs

## ENVIRONMENT

- Keyboard is watertight when correctly mounted
- IP65 (from front of keyboard)
- Keyboard temperature range is -25°C og +65°C
- Vandal resistance: IK07
- Device is CE approved
- Device is ROHS and WEEE compliant

## APPROVALS

- PCI 6.x approved (4-20368)

## SOFTWARE INTEGRATION

- XFS Service Provider available
- Supports Flexible Activation Procedure
- Remote Key Load
- Cryptera protocol software



Scan the code with your Smartphone and get more information about Cryptera