

NFC READER

3520



PCI 5.x & EMV
APPROVED

MODULAR PAYMENT SOLUTION

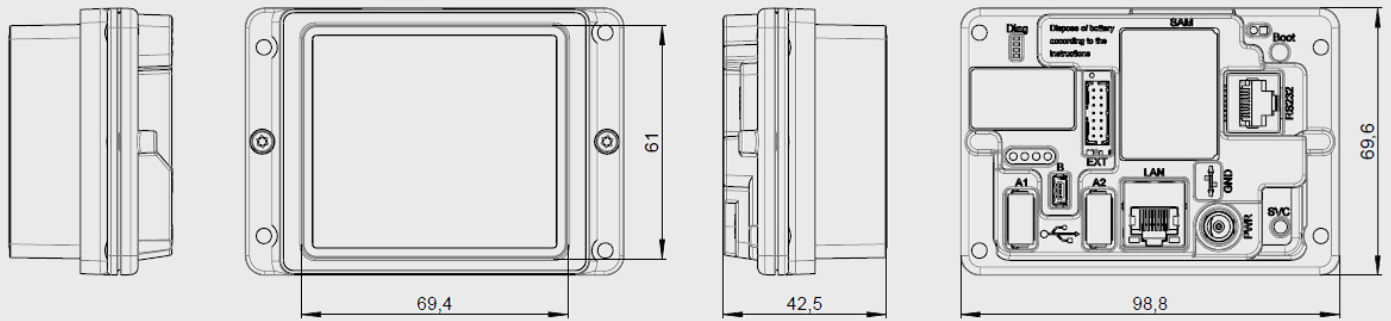
NFC READER FOR

- Petrol forecourt payment
- Parking
- Street Parking
- Vending
- Kiosk
- Retail
- ATM

HIGHLIGHTS

- EMV Contactless Level 1
- PCI 5.x Approved incl. SRED
- All International Payment Schemes
- Compact Design
- USB Interface
- Cryptera Protocol for Unattended
- XFS Service Provider for ATM

NFC READER



ADDITIONAL FEATURES

- Remote Key Load
- AES, 3DES
- DUKPT

NFC

- EMV Contactless

CONNECTIVITY

- Mini USB B

ENVIRONMENT

- Indoor & Outdoor
- Temperature range is -25°C to $+60^{\circ}\text{C}$
- Ingress Protection IP65
- Vandal Resistance IK08

SOFTWARE INTEGRATION

- Cryptera Protocol
- XFS Service Provider

COMPLIANCE

- PCI 5.x approved incl. SRED (4-80048)
- PCI PA-DSS capable
- PCI P2PE capable
- EMV
 - Contactless Level 1
- TQM (In progress)
- Payment Schemes
 - Visa PayWave
 - Mastercard MCL
 - JCB J/Speedy
 - Discover D-PAS
 - AmEx ExpressPay
 - Interac Flash
- Mobile Wallets Support
 - Apple Pay
 - Google Pay
 - Samsung Pay



Scan the code with your Smartphone and get more information about Cryptera