

CRYPTERA SCR

5210



PCI 5.x
APPROVED

SECURE CARD READER

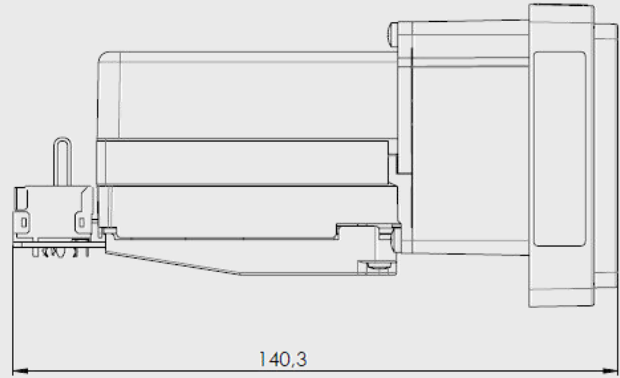
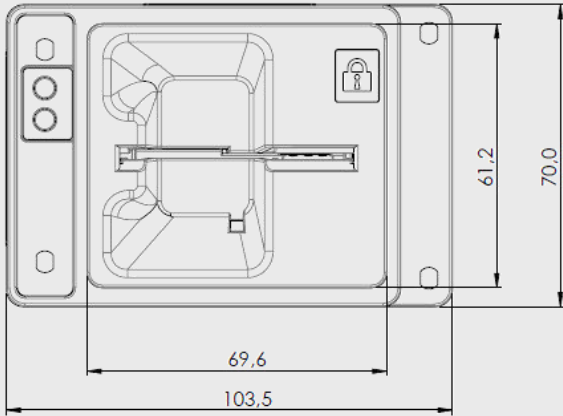
OEM SECURE CARD READER FOR:

- Unattended Payment Solutions
 - Petrol forecourt payment
 - Ticket vending machines
 - Kiosk solutions
 - Parking venues

FEATURES:

- Secure Card Reader for unattended payment
- EMV Level 1 smart card reader
- Magnetic stripe reader
- PCI 5.x approved for EMV Offline PIN
- PCI 5.x approved card data encryption (SRED)
- RS-232 Serial Interface
- Connects directly to Cryptera EPP 1215 and EPP 2200
- Removal detection
- For indoor and outdoor environments

Secure Card Reader INT 5210



CONNECTIONS

- Power supply: 12 VDC +/- 10°
- Ripple less than 100m Vp-p
- Power impedance less than 1Ω
- Current consumption: 150mA, peak 700 mA
- Serial Interface: EIA-232-D (115.2 Kbps)
- Sankyo communication protocol (T=1 based)

OPERATING ENVIRONMENT

- For indoor and outdoor use
- Operating and storage
- Temperature: -20° - +60° C
- Humidity: 10%-95% R.H. Non-condensing

OPERATION LIFE

- Magnetic head: 500.000 passes
- Chip contacts: 300.000 passes
- May vary according to operating conditions

MOUNTING

Reader is intended to be mounted with horizontal card slot and the card logo on the bottom half. This is especially important in wet environments as the reader has a drain at the bottom of the card inlet.

Removal detection features are part of the mounting details (PCI PTS requirement)

SAFETY AND ENVIRONMENT

- IEC 60950-1 compliant
- RoHS compliant

APPROVALS

EMV Level 1 approval number:

- 153431216 430 43a 43a FIMT

PCI 5.x approval numbers:

- 4-70039 (Sankyo SCR)
- 4-20344 (with EPP1215)
- 4-20345 (with EPP2200)

TQM:

- TQM1312/01

BACKWARD COMPATIBILITY

The reader can be used as a replacement for the Cryptera INT5210 PCI3 version.



Scan the code with your Smartphone and get more information about Cryptera